

VANDAL RESISTANT CAMERAS - WS2 Recessed Surface Mount Dome



DESCRIPTION

The recessed surface mount WS2 is designed for ceiling or wall mounting and, with its recessed body, offers a low profile. Besides use in indoor applications such as schools or hospitals, the environmentally sealed body allows outdoor use in areas such as loading docks or parking garages. A day/night camera is also available.

FEATURES

- Cast aluminum construction
- 3-axis camera bracket, allowing 360° pan, 180° tilt
- Environmentally sealed
- Clear or tinted dome with liner
- Mounts to standard double gang box (not provided)
- Tamper-resistant fasteners

CAMERA/LENS CHOICES

- Hi-Res b/w
- Hi-Res color
- Hi-Res day/night
- Fixed 3.6mm
- Auto iris 4-9mm

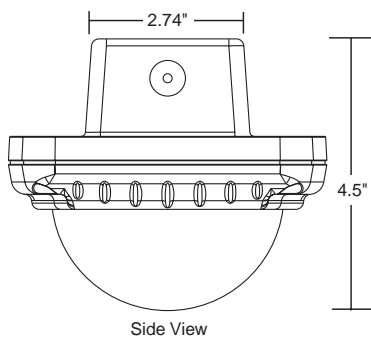
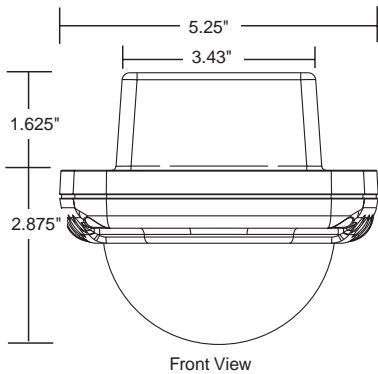
CERTIFICATIONS

Designed for NEMA 4, IP65



ARCHITECTURAL/ENGINEERING SPECIFICATIONS

The WS2 housing back box and lower body shall both be manufactured from 3/16" thick cast aluminum with an off-white powder coat finish. The housing shall be environmentally sealed. The dome shall be constructed of 1/8" thick polycarbonate. A camera bracket with three-way adjustment shall be included. Adjustments shall include 360° pan of the entire bracket, 180° tilt of the lens bracket, and a 90° tilt of the lower portion of the bracket in instances where the entire housing must be mounted at an angle. To fully conceal the back box the use of a standard double gang box is recommended. Available with hi-res black and white, hi-res color, or hi-res day/night cameras; fixed or auto iris varifocal lens. A factory installed NVT twisted pair module, IFS fiber transmitter card and 24 VAC heater shall be available as options.



MECHANICAL SPECIFICATIONS

Cable Entry Opening in back box
Pan/Tilt Manual; 360° pan / 180° tilt

CONSTRUCTION 3/16" thick cast aluminum
1/8" polycarbonate dome

FINISH Off-white powder coat

DIMENSIONS

Base 5.25" (H) x 5.25" (W) x 4" (D)
Dome 3.875" diameter

ELECTRICAL SPECIFICATIONS

Input Voltage	12 - 28 VDC or 15 - 28 VAC
	Must be a regulated power supply
Current Draw	12 VDC - 350mA; 24 VAC - 202mA
Power Requirements	
Camera	12 VDC - 4.2W; 24 VAC - 4.8W
Heater	7W (24 VAC only)
Video Connector	BNC

ENVIRONMENTAL SPECIFICATIONS

Temperature Range	0° to 120° F
-------------------	--------------

CAMERA SPECIFICATIONS - see page 29

FACTORY INSTALLED OPTIONS



- NVT twisted pair transmitter module (customer must purchase video receiver from NVT)



- IFS fiber transmitter card (customer must purchase receiver from IFS)

- 24 VAC heater

ADDITIONAL OPTIONS

- WSLP68 - Lens combination pack (6 mm, 8 mm)
- PS12 - 12VDC power supply

SHIPPING SPECIFICATIONS

Model	Unit Weight	Shipping Weight	Shipping Box Dim.
WS2	3 lbs	4 lbs	9 x 9 x 8

* Shipping weights depend on box dimensions.

VANDAL RESISTANT CAMERAS - Camera and Lens Specifications

WARRIOR CAMERA SPECIFICATIONS

	Hi-Resolution B/W Camera	Hi-Resolution Color Camera	Hi-Resolution Day and Night Camera	Pan/Tilt/Zoom Hi-Res Color Camera ⁴
Signal System	EIA or CCIR	NTSC or PAL	NTSC or PAL	NTSC or PAL
Imager	1/3" CCD	1/4" CCD	1/4" CCD	1/3" CCD
Scanning System	2:1 Interlaced	2:1 Interlaced	2:1 Interlaced	2:1 Interlaced
Synchronizing System	12 VDC internal	Internal	Internal	12 VDC internal
Horizontal Resolution	570 TV Lines	480 TV Lines	480 TV Lines	480 TV Lines
Signal-to-Noise Ratio	More than 48 dB	More than 50dB	More than 50dB	More than 48 dB
Minimum Illumination	0.08 Lux (F1.2)	0.75 Lux (F1.2)	Color - 0.75 Lux (F1.2) B/W - 0.05 Lux (F1.2) Switches to B/W at 0.6 Lux	0.4 Lux (F1.2)
Video Output	1Vp-p 75 ohm composite	1Vp-p 75 ohm	1Vp-p 75 ohm	1Vp-p 75 ohm composite
Gain Control	Auto	N/A	N/A	Selectable, RS232C controllable
Electronic Iris	Auto	ON/OFF selectable dip switch	ON/OFF selectable dip switch	
Auto Iris Control	DC Drive Iris Control w/adjustable level	DC Drive Iris Control w/adjustable level	DC Drive Iris Control w/adjustable level	N/A
Switchable Shutter Speed	1/50 1/60 - 1/100,000 sec.	N/A	1/60 sec. Fixed (flickerless off) 1/100 sec. Fixed (flickerless on)	Selectable, RS232C controllable
White Balance	N/A	Auto Tracking White Balance	Auto Tracking White Balance	Selectable, RS232C controllable
Flickerless	N/A	ON/OFF selectable dip switch	ON/OFF selectable dip switch	ON/OFF selectable dip switch
Backlight Compensation	Auto	ON/OFF selectable dip switch	ON/OFF selectable dip switch	Selectable, RS232C controllable
Lenses	2.5,3.6,6,8,12,16mm Fixed ³ 3.5-8mm Auto-Iris Varifocal ^{1,2}	2.5,3.6,6,8,12,16mm Fixed ³	4-9mm Auto-Iris Varifocal ^{1,2}	2.5,3.6,6,8,12,16mm Fixed 3x Digital Zoom

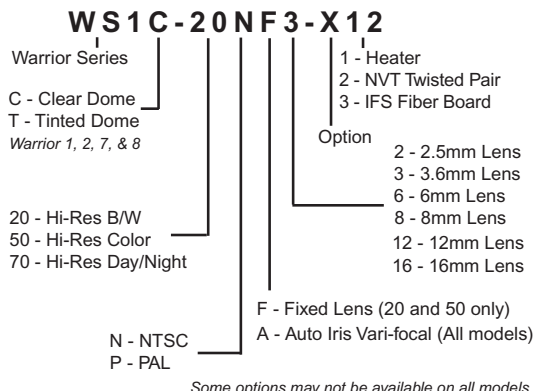
1 - Not available on Warrior 5 and 6 2 - Not available on Warrior Pan/Tilt 3 - Warrior 5 and 6 2.5mm and 3.6mm only 4 - Warrior 1, 7, and 8 only

WARRIOR LENS SPECIFICATIONS

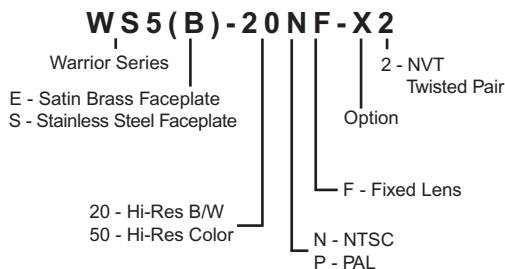
FIXED LENSES						
Focal Length	2.5mm	3.6mm	6mm	8mm	12mm	16mm
Format Size	1/3"	1/3"	1/3"	1/3"	1/3"	1/3"
Relative Aperture (F)	2.0	2.0	2.0	2.0	2.0	2.0

VARIFOCAL LENSES		
Focal Length	4-8mm fixed	4-9mm auto iris
Format Size	1/3"	1/3"
Relative Aperture (F)	2 - 2.6	1.6 - 2.4

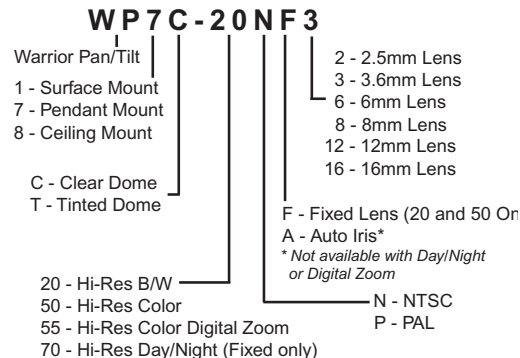
WARRIOR 1-4, 7-8 MODEL CHART



WARRIOR 5 AND 6 MODEL CHART



WARRIOR PAN/TILT MODEL CHART



Product specifications are subject to change without notice.

2525 Park Central Blvd • Decatur GA 30035 • 770-987-7550 • www.videolarm.com • info@videolarm.com

