

# Igloo Dome

## An Air-Conditioned Solution for Hot, Humid Climates



Restricted by intense heat and humidity? Videolarm's new Igloo Dome provides you with an air-conditioned solution to monitor in excessive heat climates with temperatures up-to 75°C / 167°F. The unit operates on low toxicity Propylene Glycol coolant which cools the internal temperature within the camera enclosure, resulting in an ideal environment for your surveillance equipment. As an added safety benefit, when outside temperatures exceed +75°C, the AC unit and camera system temporarily shut down for cooling. Once a safe operating environment has been reestablished, all units reactivate.

With its rugged industrial design, capable of resisting vandalistic attacks, the Igloo Dome comes with an IP66 rating for the prevention of water and dust intake. IP Ready - compatible with today's leading network cameras and Videolarm's SView.

### KEY FEATURES

- **Deployment in high temperature environments, up-to 75°C / 167°F**
- **Liquid cooled; utilizes low toxicity Propylene Glycol coolant formula which is safe for the environment**
- **Includes heavy-duty air filtration system**
- **IP Ready (factory-wired), compatible with today's leading network cameras and Videolarm SView camera systems**
- **Over-temperature protection for cooling system: AC unit temporarily shuts down automatically, along with camera system, when outside temperatures exceed +75°C. Once safe temperature is reached, AC unit reactivates.**
- **Rugged, vandal-resistant construction with polycarbonate dome**
- **Includes built-in aluminium sunshield for added protection from direct light**
- **Comes standard with separate wall / pole mount for simple installation**
- **110 / 220Vac powers entire unit**



# Igloo Dome

## PTZ and Fixed Camera Models

### Model for IP Ready PTZ Camera:

**IGDW75C1N:** IP Network Ready 7" Outdoor Air Conditioned dome hsg w/ wall and pole mount, clear polycarbonate dome, w/240Vac input, heater/blower, for an IP Network PTZ camera, 120 to 24Vac transform

### Model for Fixed Camera:

**IGDW75CF1:** 7" Outdoor Air Conditioned dome housing w/ wall and pole mount, clear dome, w/240Vac input, heater/blower, for an Analog fixed camera

### Sview Camera System - IP Ready PTZ:

**IGDW7CN-3:** Outdoor Air Conditioned dome housing IP network PTZ camera system, 36x zoom Day/Night camera, w/ wall and pole mount, clear dome, w/240Vac input, heater/blower

### Sview Camera System - IP Ready Fixed:

**IGDW75CF1:** Outdoor Air Conditioned dome housing Analog PTZ camera system, 36x zoom Day/Night camera, w/ wall and pole mount, clear dome, w/240Vac input, heater/blower

Tinted and Clear  
Domes available  
Change: "C" - Clear  
or "T" - Tinted



## Camera Compatibility

Mounting brackets are included and can accommodate most of today's popular cameras. To view an up-to-date listing of compatible cameras please visit [www.vidеolarm.com/thirdparty.jsp](http://www.vidеolarm.com/thirdparty.jsp)

### PTZ Compatible Cameras:

**ACTi:** CAM-6500

**Axis:** 213, 214, 215, 231D, 232D, 233D

**Canon:** VB-C50iR, VC-C50iR, VC-C4R

**DLink:** DCS 6600 Series, DCS 5000 Series

**Elmo:** PTC-401C IP, PTC-400C, PTC-400C, PTC-200C

**JVC:** VN-C30U, VN-C625U, VN-C655U, TK-625U

**Panasonic:** BB-HCM381, WV-NS202, KX-HCM280A, BB-HCE481A, BB-HCM580A, BB-HCM581A

**PiXORD:** 261, 262, 263

**Sony:** SNC-RZ25, SNC-RZ30, SNC-RZ50

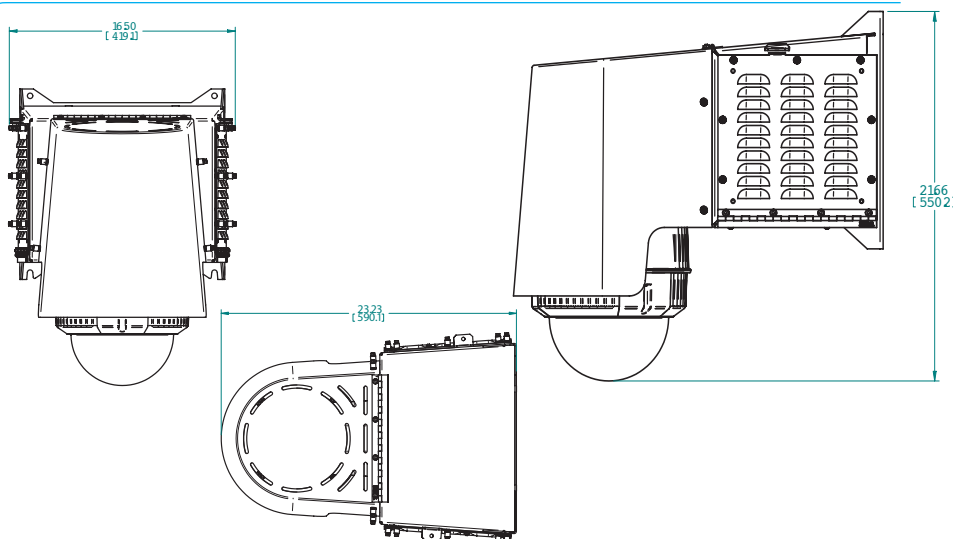
**Toshiba:** IK-WB21A

**Vivotek:** PZ6112

### Fixed Cameras:

Accepts camera and lens up to 7.5" in length.

## Dimensions / Architectural Drawings



## Mechanical Specifications

**Size:** 21.6" x 16.5" x 23.2" (h\*w\*d)  
(550.2 x 419.1 x 590.1mm)

**Weight:** 40 lbs/ 18.14 kg

**Construction Top:** Aluminum Alloy

**Dome:** Polycarbonate

## Electrical Specifications

**Power requirements:** 120VAC / 240VAC  
50/60 Hz 450W

## Environmental Specifications

**Operating Temperature:** -40° F to 167° F Max  
(-40° C to 75° C) Max

## Shipping Specifications

Model	Shipping Weight	Box Dimensions
IGDW7C1N	50 lbs	Call for Details

## Certifications and Ratings



UL Listed

WEEE

CE

RoHS